

PSC series power supply

Power supply 12V DC, IP67



CODE: **PSC12015** v1.0/VII
 TYPE: **PSC 12V/1,5A/62MM Power supply**

EN

Features of the power supply:

- power output 1,5A/12VDC*
- universal AC input voltage range 90÷264V
- high efficiency 81%
- standby power <0,3W
- efficiency level: V
- IP 67 case
- protections:
 - SCP short-circuit protection
 - overvoltage protection (AC input)
 - overload (OLP)
- warranty – 2 year from the production date



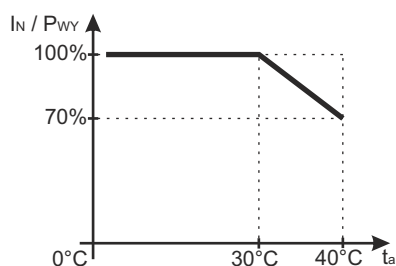
DESCRIPTION

Stabilized DC power supply is intended for supply CCTV cameras that require stabilised voltage of 12V DC. The unit is protected against short-circuit and overload.

TECHNICAL DATA

Supply voltage	90 ÷ 264V AC 50÷60Hz
Current consumption	0,16A@230V AC max.
Supply power	18W max.
Efficiency	81%
Output voltage	12VDC
Output current $t_{AMB}<30^{\circ}C$	1,5A instantaneous current - refer to graph 1.
Output current $t_{AMB}=40^{\circ}C$	1A - refer to graph 1.
Ripple voltage	100mV p-p max.
Short-circuit protection SCP	electronic, automatic recovery
Overload protection OLP	105-150% of power supply, automatic recovery
Overvoltage protection	varistor (AC input)
IP protection class	IP67
Operation conditions	temperature $0^{\circ}C+40^{\circ}C$ relative humidity 20%...90%
Dimensions (LxWxH)	58 x 58 x 28 [mm]
Net/gross weight	0,16kg / 0,19kg
Protection class PN-EN 60950-1:2007	II (second)
Length of DC cable	0,5 m + plug DC5,5/2,1 female
Length of AC cable	0,3 m
Storage temperature	-20°C...+60°C

* In order to extend the life of the power supply, the load current of 1A is recommended.



Graph 1.
Relation between output current and ambient temperature (instantaneous load).

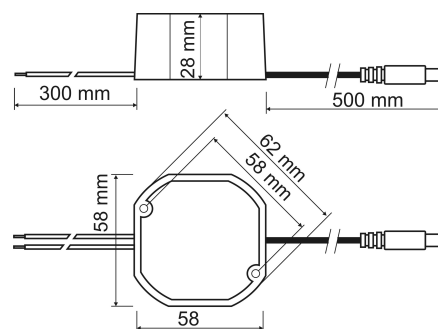
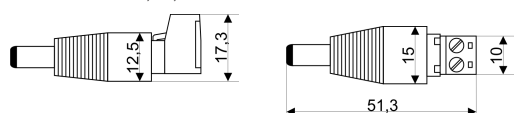


Fig. 1. Dimension of power supply.

ACCESSORIES

ACCESSORIES:

[1] adapter CABLE - PLUG DC 5,5/2,1 - code ML109



For power supplies are available accessories - fuse blocks and cable adapter. For details –visit www.pulsar.pl.

* Refer to graph 1